

# Accessories & Assembly Instructions Index

## Alphabetical Index

DESCRIPTION	PAGES
Assembly Equipment	
Crimp	327-331
Reusable	332-336
Assembly Instructions	309-326
Cut Off Equipment	337-339
Proof Test Equipment	341-342
Skiving Equipment	340

## Part Number Index

PART #	PG.	PART #	PG.	PART #	PG.
583	335	FF13271	299	FT1240	340
624	296	FF13272	299	FT1258	337
1561	335	FF13273	299	FT1260	338
1562	335	FF13570	299	FT1261	341
1563	335	FF13571	299	FT1271	335
1582	335	FF90308	297	FT1279	340
1597	335	FF90311	297	FT1281	333
1598	335	FT1013	333	FT1283	329
1599	335	FT1028	334	FT1307	330
222005	295	FT1033	334	FT1312	341
222022	295	FT1038A	336	FT1355-01	296
900564	295	FT1058	342	FT1330-XL	329
900952	295	FT1081	336	FT1380	327
900705	295	FT1090	336	FT1380P	327
900729	297	FT1092	329	FT1390	329
F2015	336	FT1095	335	FT1505	337
FC425	296	FT1097	332	HP	298
FF9075	222, 310	FT1101	338	HPM	298
FF9217	296	FT1215	339	HSM	298
FF13267	299	FT1220	335	HLM	298
FF13268	299	FT1229	340	S1104	338
FF13269	299	FT1230	340	SC1772	338
FF13270	299	FT1234	334		

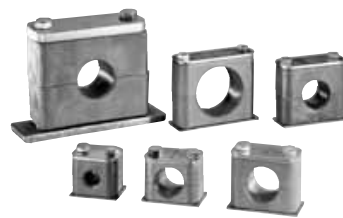
### WARNING

The user must exercise extreme care when operating any Eaton assembly equipment with powered moving components. Safety glasses must be worn at all times when using any Eaton assembly equipment.

Read and understand the owners and operators manual before attempting to operate any equipment.

Eaton personnel are available to answer any questions, please call Eaton, 14615 Lone Oak Road, Eden Prairie, MN 55344, 952-937-9800.

Eaton assembly equipment is designed to be used only with Aeroquip hose and Eaton hose fittings.



# Protective coils, sleeves & clamps

## 222005\*, 222022 Stainless steel internal support coils



Recommended for vacuum service with most hose.

**For use with hose: see pages 300-308.**

PART NUMBER O.D.	COIL	
	mm	in.
222005-23C	8,6	.34
222005-10C	10,7	.42
222005-21C	12,9	.51
222005-11C	15,2	.60
222022-12C	17,8	.70
222005-13C	18,5	.73
222005-14C	23,9	.94
222022-16C	24,6	.97
222005-15C	30,2	1.19
222022-20C	31,7	1.25
222005-17C	36,6	1.44
222022-24C	38,1	1.50
222005-18C	47,7	1.88
222022-32C	50,0	1.97
222005-19C	62,0	2.44
222022-40C	67,8	2.67
222022-48C	83,0	3.27
222022-60C	108,7	4.28
222022-80C	134,1	5.28

\*222005 is 301 stainless steel.

## 900705 Steel protective coil sleeve



Recommended for use where hose lines are subjected to excessive abrasion, kinking or accidental damage. Construction: spring steel, rust resistant.

This coil should fit snugly to the hose O.D. expanding the coil I.D. (unwind the coil) may be necessary for proper installation.

**For use with hose: see pages 300-308.**

SLEEVE DASH NO	SLEEVE I.D.	
	mm	in.
-17S	11,2	.44
-1S	12,7	.50
-13S	14,5	.57
-2S	16,0	.63
-3S	19,0	.75
-4S	22,3	.88
-5S	26,2	1.03
-14S	28,7	1.13
-6S	31,0	1.22
-7S	37,3	1.47
-9S	42,9	1.69
-8S	48,5	1.91
-10S	54,1	2.13
-16S	62,0	2.44
-11S	65,0	2.56

## 900564 Steel protective coil spring



Protects hose cover and reinforcement from abrasion and accidental damage. Construction; steel wire, rust resistant.

This coil should fit snugly to the hose O.D. expanding the coil I.D. (unwind the coil) may be necessary for proper installation.

**For use with hose: see pages 300-308.**

SLEEVE DASH NO	SLEEVE I.D.	
	mm	in.
-1S	15,5	.61
-12S	17,0	.67
-2S	19,0	.75
-15S	20,6	.81
-14S	21,6	.85
-3S	23,1	.91
-4S	26,4	1.04
-5S	30,0	1.18
-6S	34,0	1.34
-7S	42,2	1.66
-9S	47,5	1.87
-8S	54,1	2.13
-10S	60,4	2.38
-13S	69,8	2.75
-11S	73,1	2.88

## 900952 Plastic protective coil spring



Recommended to protect hose from abrasion, this light weight plastic sleeve is unaffected by air, water, oil, gasoline, hydraulic and most other fluids. This coil can also be used for group bundling of hose lines. Temperature range of 0°F to +180°F.

**For use with hose: see pages 300-308.**

PART NO	SLEEVE I.D.	
	mm	in.
900952-30	40,0	1.58
900952-22	34,0	1.34
900952-16	27,0	1.06
900952-12	21,0	.83
900952-10	16,0	.63
900952-8	12,5	.49
900952-6	9,5	.37
900952-4	6,0	.24

SPECIALTY & TRUCK HOSE

LOW & MEDIUM PRESSURE HOSE

HIGH PRESSURE HOSE

HOSE FITTINGS

ADAPTERS & TUBE FITTINGS

ACCESSORIES & ASSEMBLY INSTRUCTIONS

HOSE ASSEMBLY EQUIPMENT

APPENDICES

## 624

### Firesleeve



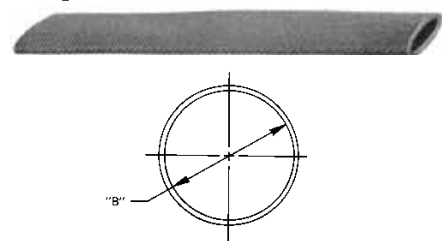
Firesleeve will protect hose from direct flame. Firesleeve is constructed of a uniform single layer of braided fiberglass tubing impregnated with flame resistant silicone rubber. Temperature range of -65°F to +500°F.

**For use with hose:  
see pages 300-308.**

PART #	I.D.		CLAMP # (2 required)
	mm	in.	
624-5	7,9	.31	FF9217-0622S
624-7	11,2	.44	FF9217-0622S
624-8	12,7	.50	FF9217-0622S
624-9	14,2	.56	FF9217-0622S
624-10	15,7	.62	FF9217-0622S
624-11	17,5	.69	FF9217-0622S
624-12	19,0	.75	FF9217-0622S
624-13	20,6	.81	FF9217-0622S
624-14	22,3	.88	FF9217-0622S
624-16	25,4	1.00	FF9217-0622S
624-18	28,4	1.12	FF9217-0622S
624-20	31,7	1.25	FF9217-0648S
624-22	35,0	1.38	FF9217-0648S
624-24	38,1	1.50	FF9217-0648S
624-26	41,1	1.62	FF9217-0648S
624-28	44,4	1.75	FF9217-0648S
624-30	47,7	1.88	FF9217-0648S
624-32	50,8	2.00	FF9217-0648S
624-38	60,4	2.38	FF9217-0648S
624-42	66,5	2.62	FF9217-0648S
624-46	73,1	2.88	FF9217-0664C
624-50	79,2	3.12	FF9217-0664C
624-54	85,8	3.38	FF9217-0664C
624-60	95,2	3.75	FF9217-0664C

## FC425

### Nylon abrasion sleeve Meets MSHA requirements



Nylon sleeve protects hose from abrasion and allows bundling of hose lines.

**For use with hose:  
see pages 300-308.**

PART #	NOMINAL SLEEVE I.D.* "B"	
	mm	in
FC425-12	18,0	.71
FC425-16	25,4	1.00
FC425-18	28,7	1.13
FC425-20	31,7	1.25
FC425-24	40,4	1.59
FC425-28	44,4	1.75
FC425-32	52,6	2.07
FC425-38	60,4	2.38
FC425-40	64,5	2.54
FC425-46	72,6	2.86
FC425-54	84,8	3.34
FC425-59	93,0	3.66

\* The maximum O.D. of hose fittings must be allowed for if fittings are to be covered.

## FF9217

### Firesleeve clamp



Recommended for attaching 624 Firesleeve to hose lines.

Clamp numbers: FF9217-0622S, FF9217-0648S; 3/8 inch wide, FF9217-0664C; 1/2 inch wide.

**For use with hose:  
see pages 300-308.**



## Hose Cleaning System

The Jetcleaner™ hose cleaning system offers a revolutionary solution for the internal cleaning of bulk hose and finished hose assemblies. Using a low pressure air gun, the Jetcleaner system routes a foam projectile through the hose to thoroughly remove debris remaining from cutting, skiving and assembly operations. Available in kit form or as individual components, the Jetcleaner hose cleaning system is the system of choice for hose assembly professionals.

## Hose Kit (P/N FT1355-01)

Includes:

Jetcleaner pistol, Hose nozzles, 1/4" through 2" ID, Adapter ring, Bench stand, Aluminum case, Quick disconnect coupling

Note: Hose projectiles (P/N FT1355-3-size) not included in kit.

Also available individually:

Jetcleaner pistol –  
FT1355-1-01

Hose nozzles –  
FT1355-2-size

Hose projectiles –  
FT1355-3-size

Coupling nozzles –  
FT1355-4-size

Coupling projectiles –  
FT1355-5-size

Adapter ring –  
FT1355-10-01

Carrying case –  
FT1355-11-02

Bench stand –  
FT1355-12-01

900729

**Support clamp**



These lightweight vinyl-coated steel support clamps are designed to support hose where long runs are necessary.

This clamp not only furnishes a cleaner installation, but prevents damage, exposure and chafing.

The lining will withstand high ambient temperatures.

Bolt hole dia: Clamp dash no. -01 thru -8, -18 thru -23 is .406; -9 thru -17, -24 thru -31 is .531.

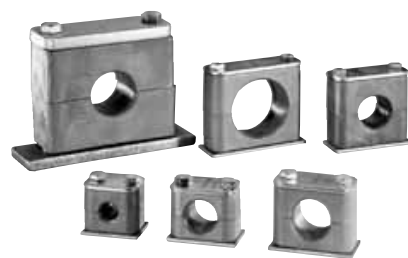
**For use with hose: see pages 300-308.**

CLAMP DASH NO.	CLAMP I.D. CLOSED	
	mm	in
-18	6,3	.25
-19	9,6	.38
-01	11,2	.44
-1	12,7	.50
-2	14,2	.56
-21	16,0	.63
-3	17,5	.69
-4	19,0	.75
-5	20,6	.81
-6	23,9	.94
-23	25,4	1.00
-8	26,9	1.06
-9	28,7	1.13
-27	30,2	1.19
-24	31,7	1.25
-25	33,3	1.31
-10	38,1	1.50
-11	39,6	1.56
-12	44,4	1.75
-28	46,0	1.81
-13	50,8	2.00
-29	52,3	2.06
-14	57,1	2.25
-30	63,5	2.50
-31	66,8	2.63
-15	69,8	2.75
-16	73,1	2.88
-17	90,4	3.56

FF90311

**Heavy Duty Hose Support Clamps**

These heavy duty weld-based clamps are designed to securely hold hose in applications subject to impulsing, flexing and vibrating conditions. The clamps help prevent abrasion and extend hose life through proper routing. Clamps are rated to ambient temperature of +250°F. See pages 300-308 for detailed clamp to hose part number reference.



FF90308

**Hose Insertion Gages**

Improve hose assembly reliability with these easy to use aluminum gages that are designed to ensure proper fitting depth during pre-assembly.

Simply bottom the hose in the appropriately marked cavity and scribe a mark on the hose flush with the top surface of the gauge. Insert the fitting until the back of the socket is aligned with scribe line.

CLAMP P/N	INSIDE DIAMETER	
	mm	in
FF90311-127	12,7	0.50
FF90311-137	13,7	0.54
FF90311-150	15,0	0.59
FF90311-160	16,0	0.63
FF90311-171	17,1	0.67
FF90311-174	17,4	0.69
FF90311-190	19,0	0.75
FF90311-205	20,5	0.81
FF90311-222	22,2	0.87
FF90311-239	23,9	0.94
FF90311-254	25,4	1.00
FF90311-266	26,6	1.05
FF90311-280	28,0	1.10
FF90311-300	30,0	1.18
FF90311-320	32,0	1.26
FF90311-334	33,4	1.31
FF90311-357	35,7	1.41
FF90311-381	38,1	1.50
FF90311-400	40,0	1.57
FF90311-422	42,2	1.66
FF90311-445	44,5	1.75
FF90311-483	48,3	1.90
FF90311-508	50,8	2.00
FF90311-572	57,2	2.25
FF90311-635	63,5	2.50
FF90311-700	70,0	2.76



For use with all hoses that mate with TTC, TTC12 and Global Spiral TTC fittings

PART NUMBER	USAGE
FF90308-01	For use with all hoses that mate with -4 through -16 TTC and TTC12 fittings
FF90308-02	For use with all hoses that mate with -20 through -32 TTC and TTC 12 fittings
FF90308-03	For use with all hoses that mate with -12, -16, -20 Spiral TTC fittings

SPECIALTY & TRUCK HOSE

LOW & MEDIUM PRESSURE HOSE

HIGH PRESSURE HOSE

HOSE FITTINGS

ADAPTERS & TUBE FITTINGS

ACCESSORIES & ASSEMBLY INSTRUCTIONS

HOSE ASSEMBLY EQUIPMENT

APPENDICES

## Hose Protectors

PART NUMBER	DESCRIPTION
HP4*	4" Hose Protector Case of 50
HP6*	6" Hose Protector Case of 50
HP8*	8" Hose Protector Case of 50
HPM*	Mixed Hose Protectors Case of 60

\*Hose protectors available in black, orange or yellow.

- Hydraulic Hoses
- Battery Cables
- Wiring Harness
- Brake Systems
- Fuel Lines
- Air Lines
- Radiator Hoses
- Oil Lines

## Features:

- Extremely high wear factor
- Formulated to resist solvents, oils, grease, gasoline, etc.
- 3 grooves protect cable ties and prevent slipping
- Operating temperature range is -40° to 430°F.
- Exceptionally cost effective
- Easy installation in minutes – no need to remove hose
- Packed in easy to assemble, colorful, counter display box
- Available in 3 sizes – 4", 6" and 8" – cable ties included

## Market Applications:

- Farming
- Industrial
- Trucking
- Mining
- Construction
- Aviation Support
- Public Transportation
- Road Maintenance
- Waste Management
- Original Equip. Manuf.

## Abrasion Protection For:



## Hose Spacers

PART NUMBER	DESCRIPTION
HSM-48	Case of 48 mixed Hose Spacers

## Features:

- Prevents hose abrasion at points of contact
- Helps keep hoses organized
- Prevents damage from unrestrained hoses
- Easy to install
- Available in 4 sizes – 3/4", 1", 1 1/8", 1 3/8"
- Packed in colorful counter display boxes of 48 – cable ties included
- Also available in mixed boxes of 48 (12 each size) or refill bags of 12



## Hose Looms

PART NUMBER	DESCRIPTION
HLM-48	Case of 48 mixed Hose Looms

## Features:

- Prevents hose abrasion at points of contact
- Keeps multiple hoses organized
- Simplifies hose routing
- Prevents damage from unrestrained hoses
- Easy to install
- Available in 4 sizes – 3/4", 1", 1 1/8", 1 3/8"
- Packed in colorful counter display boxes of 48
- Also available in mixed boxes of 48 (12 each size) or refill bags of 12



## Flaretite\* Seals

The ideal product to enhance new installations of SAE 37° connections, as well as seal off minor leaks and weeping connections.



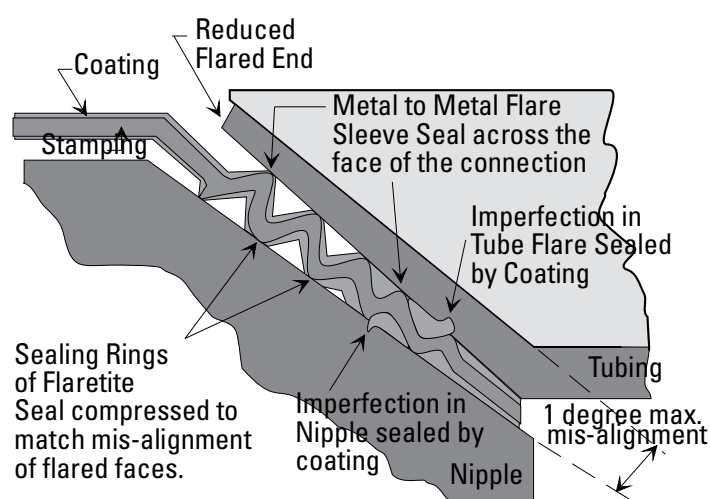
### Features

- Ribbed insert design
- Coated with Loctite\*\* sealant
- Economical method to reduce minor leaks and weeping connections
- Built-in clip to attach the Flaretite seal to the nose of the SAE 37 degree connection
- Available sizes: -04 through -32

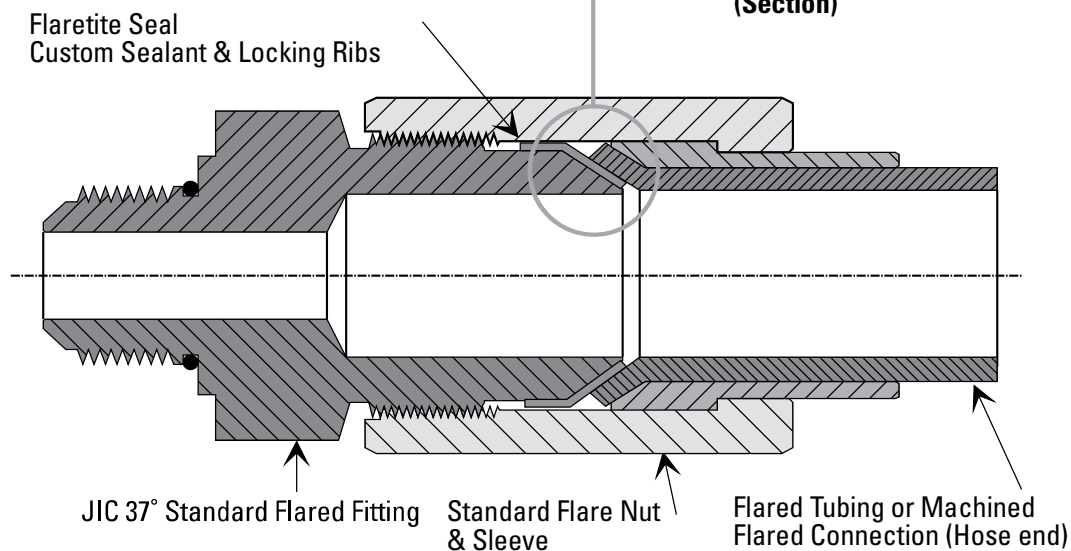
### Benefits

- Multiple surface contact points
- Locks the joint and fills surface imperfections
- Saves time & money associated with maintenance and rework
- Quick & easy assembly

#### Flaretite Seal Joint Section of Applied Seal



#### Standard Flared Connection (Section)



SEAL SIZE	PACKAGE PART NUMBER	NUMBER OF SEALS PER PACKAGE
-04	FF13267	100
-06	FF13268	100
-08	FF13269	100
-10	FF13270	100
-12	FF13271	100
-16	FF13272	50
-20	FF13273	50
-24	FF13570	25
-32	FF13571	10

### Assembly and Torque Requirements

To assemble an SAE 37° connection using a Flaretite seal, simply push the Flaretite seal onto the male portion of the connection. The built-in clip will hold the Flaretite seal onto the male half.

During assembly ensure:

- The seal is fitted squarely to the conical nose of the JIC fitting -37° flare.
- The sealing faces of the flared connector part are clean and free of burrs.
- The flared joint is correctly tightened with recommended torque settings noted below.

#### RECOMMENDED TORQUE SETTINGS:

**Tolerance: +10% -0%**

-04 (1/4")	SAE 37°: 14lb-ft.	-10 (5/8")	SAE 37°: 80lb-ft.	-20 (1-1/4")	SAE 37°: 190lb-ft.
-06 (3/8")	SAE 37°: 26lb-ft.	-12 (3/4")	SAE 37°: 110lb-ft.	-24 (1-1/2")	SAE 37°: 220lb-ft.
-08 (1/2")	SAE 37°: 55lb-ft.	-16 (1")	SAE 37°: 140lb-ft.	-32 (2")	SAE 37°: 325lb-ft.

\* Flaretite is a registered trademark of Flaretite Inc. All photos and the name Flaretite are the property of Flaretite Inc.

\*\* Loctite is a registered trademark of Henkel Loctite Corporation.